

#whdentalwerk



video.wh.com

Now at  
your dealer  
or [wh.com](http://wh.com)



# Good, better, perfectar.

Competence in  
the laboratory  
since 1926



perfecta

## People have Priority



### Jürgen Auffarth

owner of a dental laboratory and international lecturer, Salzburg, Austria

»They are quiet, attractive and powerful instruments.«



### Enrico Steger

dental technician and founder of Zirkonzahn, Gais, South Tyrol, Italy

»We have been using W&H handpieces in our devices for years.«



### Wolfgang Weisser

laboratory owner and technical editor, Aalen, Germany

»The device is a real asset in our laboratory.«



## Welcome to W&H

### Successful throughout the world

The family-run company W&H is one of the world's leading providers of precision dental equipment. W&H has around 1,200 employees all over the world.



### Competence in the laboratory since 1926

The manufacture of handpieces for dental technicians started as long ago as 1926. Development, production and service of all laboratory devices is still based near Salzburg.



### Highest level service and 24-month warranty

People have Priority: At W&H our attention is focused on people. For you this means: you purchase a quality product that has been developed and sustainably manufactured with a 24-month warranty and the best possible service.

## The right product for every person



### Naomi M.

Naomi M. from Asia, 23 years old,  
employed as a dental technician for three years

Perfecta 300

»Top quality – it does simply everything!  
And the service is absolutely the best!«



### Emanuel C.

from South America, 41 years old,  
self-employed dental technician

Perfecta 600

»I no longer automatically reach for  
the air gun: The motor handpiece has  
an integrated air-jet function!«



### Carl S.

Carl S. from North America, 37 years old,  
manager of a dental laboratory

Perfecta 900

»Wow! Much more powerful than an air  
turbine. Ideal for machining ceramics.«



## Perfecta types overview



	Perfecta 300	Perfecta 600	Perfecta 900	Perfecta 900 Set*
<b>Handpieces</b>				
Motor handpiece with 5.5 Ncm, 1,000 – 40,000 rpm	●	-	-	-
Motor handpiece with 7.8 Ncm, 1,000 – 50,000 rpm	-	●	○	●
High-speed handpiece with 0.7 Ncm, 5,000 – 100,000 rpm	-	-	●	●
Brushless motor	●	●	●	●
Can be used for burs diameters 1.6 / 2.35 / 3.0 mm	- / ● / ○	- / ● / ○	● / ○ / ○	● / ● / ○
<b>Special functions</b>				
Integrated air-jet function	-	●	●	●
Automatic programs: Bistable / Speed control operation	● / -	● / ●	● / ●	● / ●
Clockwise and anti-clockwise operation	●	●	●	●
<b>Model types</b>				
Table control unit with foot-operated starter / knee control unit / foot control unit	● / ● / ●	● / ● / ●	● / ● / -	● / ● / -
External operating controls (optional for foot control unit)	●	●	●	●
»E-type« motor with ISO coupling, 5.5 Ncm, 1,000 – 40,000 rpm	○	-	-	-
<b>Warranty</b>				
24 months	●	●	●	●
<b>Accessories</b>				
Wall bracket for operating controls	○	○	○	○
Milling device adaptor	-	-	○	○
Technical handpiece 945 for ISO motor	○	-	-	-

● Standard equipment  
○ optional  
- not available  
More details at [wh.com](http://wh.com)

\*The Perfecta 900 Set with two handpieces is not  
a standard article. You will also need to order the  
motor handpiece and the applicable cable.



### Silvia L.

from Europe, 51 years old,  
laboratory owner

Perfecta 900 Set\*

»My workstations: one unit –  
two handpieces – all materials!«





## Handpieces with integrated perfection

Both handpieces have an integrated air-jet function. You no longer have to keep reaching for the air gun, saving you a lot of time. You also work with the powerful electric motor with a constant speed and very low noise. The ergonomic shape of the handpieces ensures convenient handling: You can work for long periods without fatigue. And because W&H places great emphasis on quality, you have a 24-month warranty on both handpieces.



Motor handpiece



High-speed handpiece

## The motor handpiece – your advantages



The integrated air-jet function simply blows chips and dust away. It also cleans the chucking system at the same time.



Extremely powerful: you always have sufficient power reserves available for even the most challenging work.



The »E-type« motor with ISO connection is an optional accessory for the Perfecta 300 only. You can use any available ISO handpiece with it.

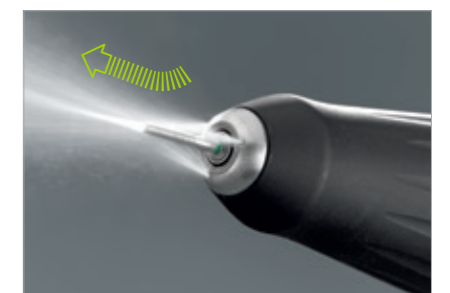
## The high-speed handpiece your advantages



The motor speed is easily controlled and ideal for accurate machining of all ceramic materials.



You work efficiently and quietly with up to 10 times the power of an air turbine (also in anti-clockwise operation).



You can also easily connect the unique triple spray. It provides protection from microcracking and guarantees optimum cooling in any position.

## One unit for all materials

The high-speed handpiece and the motor handpiece can both be connected to the Perfecta 900 simultaneously, allowing you to machine all materials with only one unit.



## Everything in view – everything under control

Your work is complex enough, at least the controls can be simple: All Perfecta models are therefore available with uncomplicated operating controls. You can control all functions and with the Perfecta 900 switch between the two handpieces. The large, legible display shows the current speed. The maximum speed is set with the speed control in the centre of the operating controls.



## The operating controls – Ihre Vorteile



### Automatic programs make your work easier

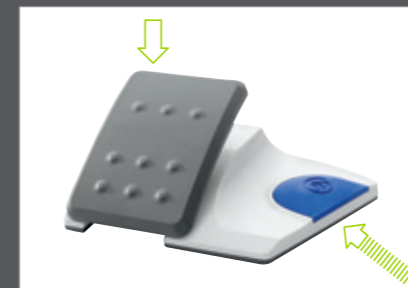
In the »Bistable« mode you automatically start at the speed you specify. In the »Speed control operation« mode the current speed is automatically saved and maintained after two seconds of operation.



### Just switch programs instead of units

A press of the button switches between the high-speed handpiece and the motor handpiece when using the Perfecta 900. This means that you only need one device for effective machining of all materials.

## Perfect control – in the model of your choice



### Table control unit

Start the motor, control the speed and activate the integrated air-jet function with the foot-operated starter.



### Knee control unit

Control the speed and activate the integrated air-jet function with your knee.



### Foot control unit

Activate the integrated air-jet function, control the speed and switch between clockwise/anti-clockwise rotation with the foot control.

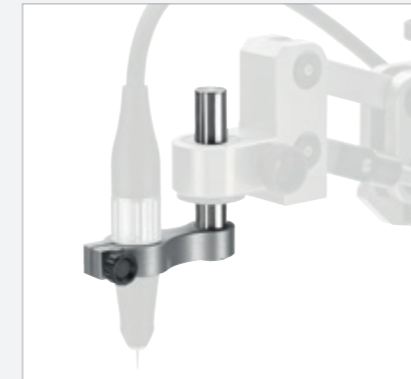


## The Perfecta family



- 1 Table control unit
- 2 Knee control unit
- 3 Foot control unit (Perfecta 300 / Perfecta 600)
- 4 Table control unit (Perfecta 900, as knee control unit includes knee lever no. 8)
- 5 Operating controls
- 6 Foot-operated starter
- 7 Button for integrated air-jet function
- 8 Knee lever for integrated air-jet function
- 9 Motor handpiece (optional for Perfecta 900)
- 10 »E-type« motor with ISO connection (optional for Perfecta 300 only)
- 11 High-speed handpiece
- 12 Coolant tank (400 ml, Perfecta 900 only)

## Perfecta accessories



### Milling device adaptor – 100% parallel

The high-speed handpiece can be connected to virtually any milling machine with the milling device adaptor. This allows accurate parallel operation and you create perfectly milled constructions.



### Tool kit and cleaning kit included

There is a useful tool kit and cleaning kit in the handpiece holder. You can easily service and clean your motor handpiece yourself.



### Wall bracket can be positioned as desired

Everything in view at all times: You can mount the operating controls on the wall, the table or the wall-mounted shelf with the adjustable wall bracket.

### Technical handpiece 945 for the practice

The technical handpiece 945 makes corrections, adjustments and reworking of dentures and dental control apparatus quick and efficient. The handpiece also fits any motor with an ISO connection.



# Technical data

CE

Types	Perfecta 300	Perfecta 600	Perfecta 900
<b>Handpieces</b>			
Motor handpiece with 5.5 Ncm, 1,000 – 40,000 min <sup>-1</sup>	●	-	-
Motor handpiece with 7.8 Ncm, 1,000 – 50,000 min <sup>-1</sup>	-	●	○
High-speed handpiece with 0.7 Ncm, 5,000 – 100,000 min <sup>-1</sup>	-	-	●
Brushless motor	●	●	●
<b>Special functions</b>			
Integrated air-jet function	-	●	●
Automatic programs: Bistable / Speed control operation	● / -	● / ●	● / ●
Clockwise and anti-clockwise operation	●	●	●
<b>Model types</b>			
Table control unit with foot-operated starter / knee control unit / foot control unit	● / ● / ●	● / ● / ●	● / ● / -
External operating controls (optional for foot control unit)	●	●	●
»E-type« motor with ISO coupling, 5.5 Ncm, 1,000 – 40,000 U/min <sup>-1</sup>	○	-	-
<b>Warranty</b>			
24 months	●	●	●

- Standard equipment
- optional
- not available

More details at [wh.com](http://wh.com)

Motor handpiece



High-speed handpiece

**W&H Dentalwerk Bürmoos GmbH**  
 Ignaz-Glaser-Straße 53, Postfach 1  
 5111 Bürmoos, **Austria**  
 t +43 6274 6236-0  
 f +43 6274 6236-55  
 office@wh.com  
 wh.com

Pictures are for illustrative purposes only.  
 Additional equipment and accessories  
 shown are not included as standard.

20367 AEN Rev. 002 / 31.01.2019  
 Subject to alterations